

Standard Probes & Assemblies

GENERAL PURPOSE TEMPERATURE SENSOR

Features:

- Excellent thermal response
- Sturdy construction - all metal housing with a molded plastic shell
- Easy to install in a clip or with a standard cable tie
- High accuracy thermistor sensor
- Also available in a variety of thermistor resistance values and RvT curves

Options:

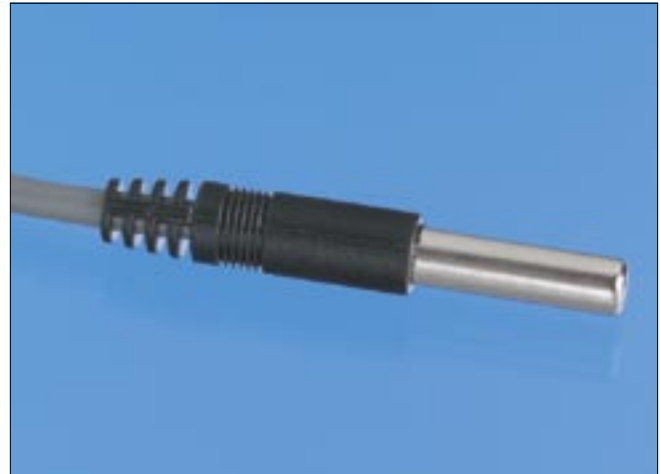
- Cable lengths
- Connectors and terminations
- Sensor values and accuracies

Description:

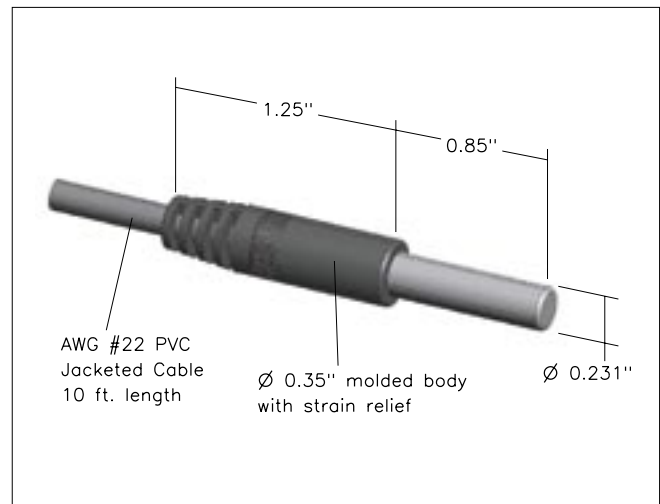
ATP has developed a general purpose temperature sensor which combines high accuracy and rugged construction in a cost effective package. This design is ideal for use with data loggers and other standard controllers. It can be used to monitor air temperatures and can also be installed in a thermowell for liquid sensing.

The ATP general purpose temperature sensor integrates a fast response thermistor element into a fully potted metal housing. A plastic molded shell thermally isolates the assembly from the environment on the back side while adding a degree of strain relief. The assembly uses low cost materials and efficient production techniques, allowing for a low cost assembly that is simple to use and extremely accurate and responsive. The assembly comes standard with 10 ft. of AWG#22 PVC jacketed cable.

Please contact the factory for specific design or application information or the availability of options.



General Purpose Thermistor Sensor



Ordering Information

ATP Part Number	R ₂₅ (Ω)	Material Curve
A2253MA22P0	2,252	Z
A3003MA22P0	3,000	Z
A5003MA22P0	5,000	Z
A1004MA22P0	10,000	Z

Standard temperature accuracy is $\pm 0.2^{\circ}\text{C}$ from 0°C to 70°C . Other resistance values and accuracies available upon request.

Resistance versus temperature information for material curve Z can be found on page 57.