

SMD PTC for Overload Protection

Features:

- Ideal for pick and place circuit assembly
- Low mounting height
- Suitable for reflow soldering
- Highly stable PTC ceramics
- Low heat transfer to substrate
- Rugged construction
- Suitable for a wide range of telecom and general bus protection
- Virtually unlimited life with no moving parts

Options:

- R25 values, switch and no-switch conditions
- Resistance tolerance and matching resistance

Description:

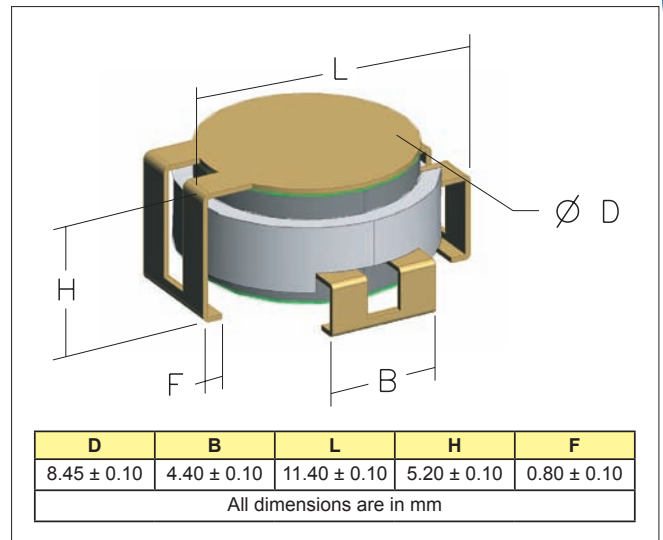
SS&C's surface mount PTC thermistor for overload protection combines a pair of rugged disk PTC thermistors with a surface mount leadframe that permits reliable and cost effective overload protection in a package that is easy to install with standard pick and place equipment. This innovative design utilizes a pair of highly stable PTC disk thermistors, which are matched for resistance. This allows for quick response to overcurrent conditions and fast recovery. Also, unlike some other technologies, PTC disk thermistors have no hysteresis and can be specified with matching R25 values as close as $\pm 0.5\Omega$.

This design is ideal for a wide variety of applications including a wide variety of those in the telecom sector. Some potential applications include central office switching, subscriber terminal equipment, set top boxes, modems and cable TV Communications, other current applications include power supply overload protection and data bus protection as well as many others.

Please contact the factory to discuss your specific application or to discuss the availability of any options.



Surface mount PTC thermistor for overload protection



Ordering Information

SS&C Part Number	R ₂₅ (Ω)	I _{NON-TRIP} (mA)	T _{TRIP} (sec)
PSM3005D120X251F	25	75	0.75
PSM3005D120X401F	40	60	0.65
PSM3005D120X102F	55	50	0.60

Resistance tolerance is $\pm 10\%$ - other tolerances available upon request
 Maximum voltage is 300V for 72 hr ($I_{max} = 4A$)
 T_{TRIP} is measured @ 25°C with 1A of current

PTC Thermistors