

Features:

- Low cost surface temperature sensor
- Fast response, excellent thermal tracking
- High accuracy thermistor
- Wide operating temperature range:
-40°C to 150°C
- 2000 Volt isolation sensor to terminal
- #6 stud (0.144" diameter) hole size

Options:

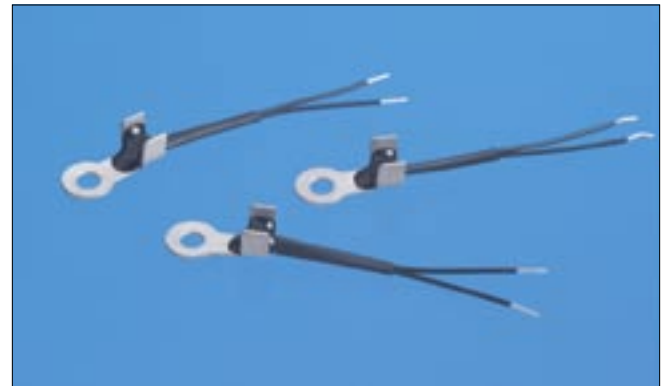
- Hole size #8 stud (0.187" diameter)
#10 stud (0.203" diameter)
- Other resistance values and tolerances
- Extension lead wires/connectors

Description:

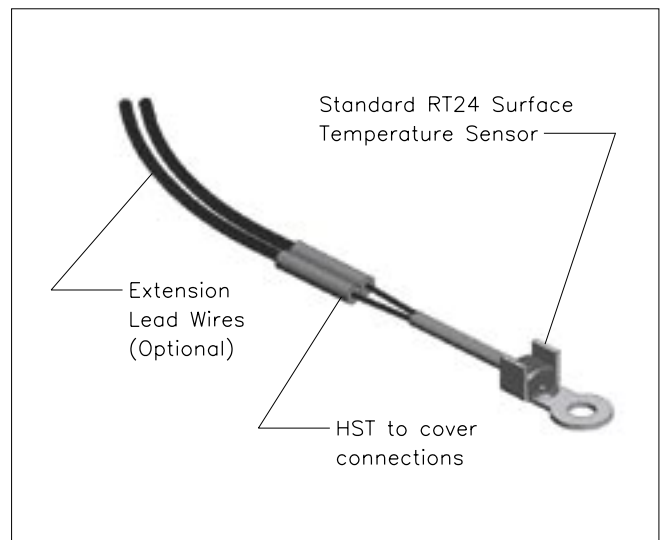
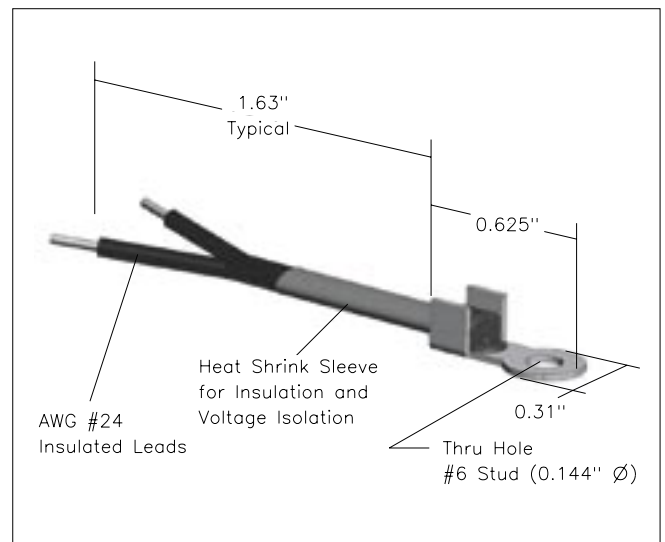
The Model RT24 is a low cost surface temperature sensor which provides a fast response time and excellent thermal tracking. It operates over a wide temperature range and can be used to monitor the temperature of heat sinks, power transistors, or any flat surface that requires thermal overload protection.

The RT24 consists of a highly stable NTC thermistor epoxied to a tin-plated copper ring lug terminal. The sensor leads are AWG#24 wires with kynar insulation. A heat shrinkable sleeve is used to provide strain relief and to guarantee 2000 volt isolation between the sensor and the mounting terminal.

Contact the factory for specific design or application information or the availability of options.



ATP RT24 Surface Temperature Sensor



ATP Sensor with Extension Lead Wires

Ordering Information			
ATP Part Number	R ₂₅ (Ω)	Material Curve	Wire Color
A3003RT24K0	3,000	Z	Red
A5003RT24K0	5,000	Z	Blue
A1004RT24K1	10,000	Z	Black

Standard resistance tolerance is ±2% at 25°C.
Resistance versus temperature information for material curve Z can be found on page 57.